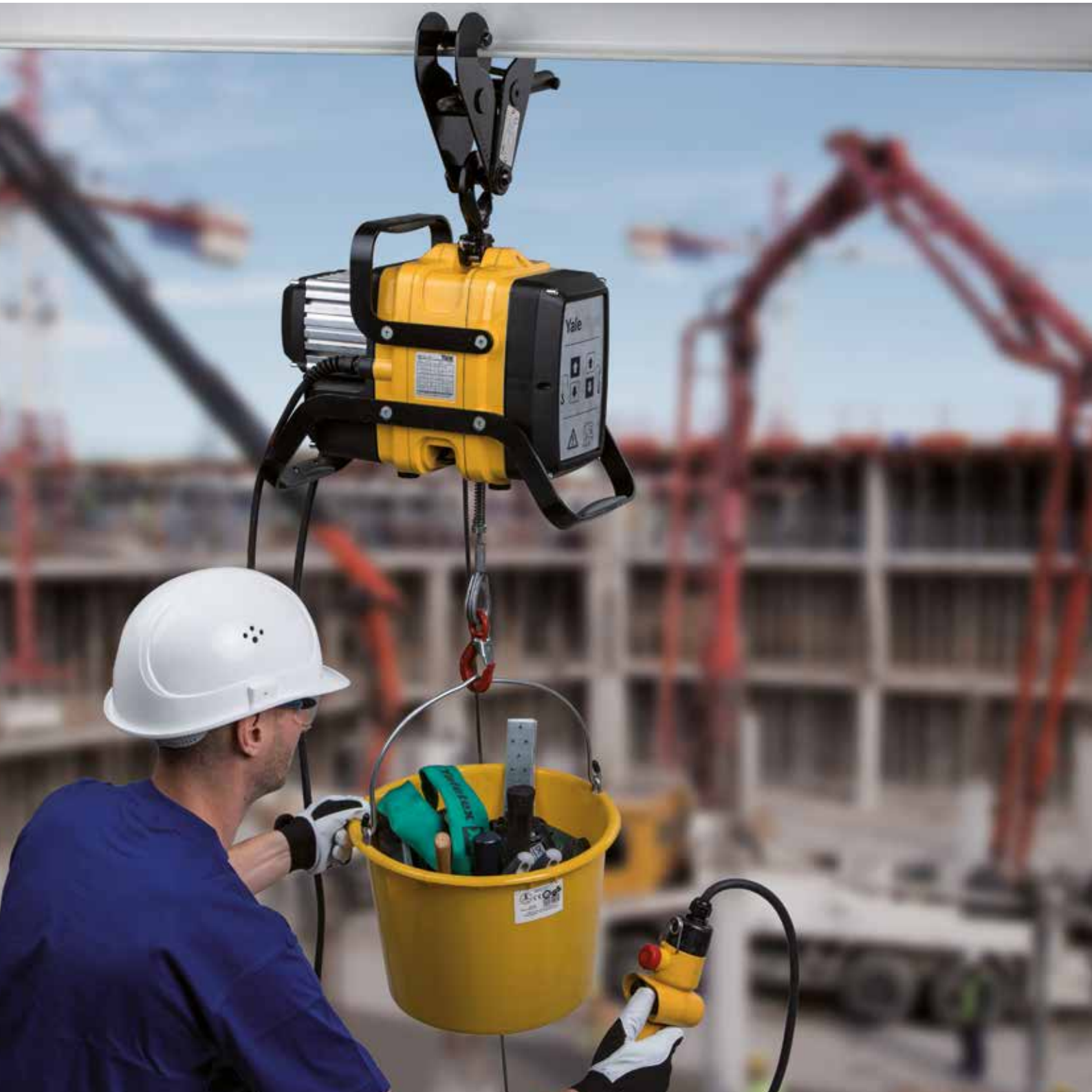


Yale *Mtrac*[®]

Endless winch



INNOVATIVE ENGINEERING DESIGNED FOR YOU

The new Yale *Mtrac*® endless winch brings a new level of versatility to the well-known family of Yale hoists. With a state-of-the-art design that allows the winch to be operated vertically, at an angle and horizontally, the Yale *Mtrac*® provides optimal efficiency and flexibility for a wide variety of applications. It also has an unlimited length of rope so there are no restrictions on lifting height.

The *Mtrac*'s patented* bi-directional lifting feature helps ensure efficient operation, allowing the operator move the rated load on both rope outlets with the addition of an optional load hook on the dead end of the rope.

The Yale *Mtrac*® is also compact and lightweight for easy transport with its ergonomic, built-in carrying handle.

The Yale *Mtrac*® is also designed for easy installation, featuring all the necessary connections to get you up and running fast.

The winch comes standard with several mounting points on the housing, which allow for various mounting positions depending on your application.

Due to its high flexibility, the Yale *Mtrac*® is ideal for use in a variety of industries and applications including maintenance and assembly work in the construction industry, wind power installations, water plants, power plants and many other sectors demanding a high degree of mobility and efficiency.



*German Patent DE 10 2012 100 099



BI-DIRECTIONAL LIFTING

This image shows the Yale *Mtrac*'s optional second hook that allows for bi-directional lifting operation.

PATENTED*

BI-DIRECTIONAL ACTUATOR FOR BI-DIRECTIONAL LIFTING *new!*

*German Patent DE 10 2012 100 099



STANDARD

This image shows the Yale *Mtrac* winch with standard equipment.

Yale *Mtrac*[®]

The Yale *Mtrac*[®] endless winch combines state-of-the-art industrial design with technical innovation to solve a specific customer need – the need for a safe and simple handling solution for mobile applications.

We did just that. Because the rope of the endless winch is not collected during operation, there is no limit to the lifting height and traction length when using this product. And, with a full offering of wire ropes and accessories, this winch can be used in virtually any application requiring a hoist.

CAPACITIES 66 - 500 KG

(two-fall design up to 1000 kg, optional)

FEATURES

PATENTED* BI-DIRECTIONAL ACTUATOR

The Yale *Mtrac* endless winch features a unique bi-directional actuator that allows the winch to move the rated load on both ends of the rope. A hook can be fitted on the unloaded rope end (as an option) thus eliminating no-load motions. How does it work? Once the load has reached the top position, the unloaded rope end with the other hook is automatically in the bottom position and a new load can be picked up immediately. The lifting frequency is doubled as the two falls can be evenly loaded alternately with the rated load.

*German Patent DE 10 2012 100 099

READY TO USE

Each winch leaves our factory as a complete plug and play unit. The control cable with control pendant is connected, as is the power supply cable with the plug. The standard design also features a wire rope complete with fitted safety hook. The carrying handle is included as standard and load-bearing feet are provided on the lower part of the housing.

STATE-OF-THE-ART INDUSTRIAL DESIGN

A compact and state-of-the-art design was at the focus of the Yale *Mtrac*. The housing is made of low-pressure, die-cast aluminum and the high-strength, glass-fiber reinforced plastic covers ensure low weight and outstanding rigidity. A carrying frame, available as an option, allows for easy, two-person transport and provides additional protection against damage when moving the unit or operating it in rough conditions.

VERSATILE APPLICATION

Mtrac winches can be used vertically, at an angle or horizontally for versatility depending on your application. Optionally, the load capacity can be doubled with two-fall reeving. Bolting points on the housing allow the customer to attach the winch in a way that best suits their application.

PROVEN TECHNOLOGY

Mtrac winches include reliable and proven Yale technology. The oil-bath lubricated and case-hardened gearbox has a helical gearing for smooth operation and a long service life. IP 55-rated motor enclosure ensures reliable operation of the winch for both indoor and outdoor applications.

BEST-IN-CLASS SAFETY

Standard winch models feature 42V low-voltage control with built-in limit switches designed to stop the hoist when the hook has reached the upper or lower position. The operator can define the limit switch positions by simply relocating the spring buffers on the rope. The winch is also protected against overload by means of a slip clutch that is designed to guarantee a permanent connection between the load and the brake.

SIMPLE MAINTENANCE

Yale *Mtrac* winches are easy to service. Units are designed with a modular structure with all critical parts easily accessible. Re-adjusting the slip clutch and inspecting the brake is quick and easy as well. In addition, the handle, or carrying frame, can be quickly and easily assembled and removed.

ERGONOMIC DESIGN

Standard units have a comfortable plastic grip that allows for convenient one-person transport. The optional carrying frame features a grip on each handle, making two-person transport easy. And, because of the rounded housing, operator injury is minimized.



FEATURES AND FINISH

STANDARD FEATURES

- Capacities 66 kg to 500 kg in single-reeved configuration (up to 1000 kg in two-part reeved configuration, optional).
- Control pendant (IP 65-type of enclosure) is connected via a control cable.
- Standard power cable has a length of 1.0 m and is fitted with a CE connector plug (or a Schuko-plug).
- 42 V low-voltage control
- Ergonomic, fitted carrying handle features a comfortable plastic grip.
- Mounting feet fixed on the housing for easy set up.
- Standard operating voltages of 400 V, 3-ph, 50 Hz or 230 V, 1-ph, 50 Hz.
- Galvanized, high-density steel rope is 10 m long (dia. 6.5 mm) and features a safety hook on one end as well as a rounded, plastic-coated tip at the loose end.
- Two spring buffers with adjusting rings can be attached to the wire rope to set the limit switches for both upward and downward movement.

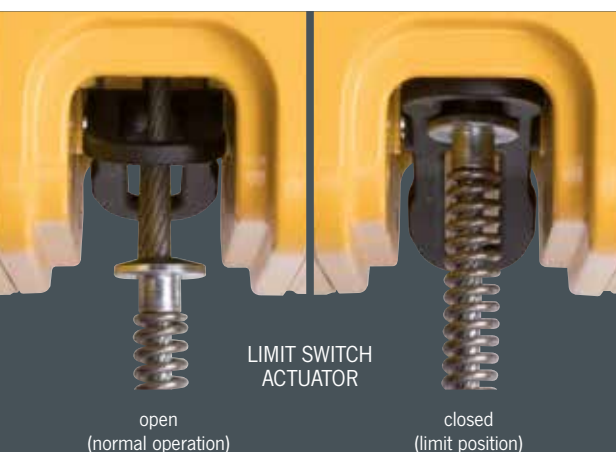
FINISH DETAILS

- Drive sheave is made of especially hardened steel designed to ensure long service life.
- The patented (German Patent DE 10 2012 100 099) bi-directional actuator ensures the rope is safely guided and securely held in place.
- Slip clutch is located outside of the load path for added safety.
- Limit switches ensure safe cut-out for the upper and lower hook positions.
- Electromagnetic brake holds the load safely, even in the event of a power failure.
- Winch is classified up to 1 Bm/M3 acc. to FEM/ISO.
- Winch is protected up to IP 55.



STANDARD

This image shows the Yale *Mtrac* winch with standard equipment.



LIMIT SWITCHES AND LIMIT SWITCH ACTUATOR

The spring buffers attached to the rope trip the limit switch actuator when they contact the paddle, which in turn actuates the micro-switches that stop the hoisting motion (via the low voltage control).



OPTIONS AND SPECIAL EQUIPMENT

OPTIONAL FEATURES

BI-DIRECTIONAL LIFTING

To realize the full potential of this winch, operators can utilize the bi-directional actuator. Simply fit an additional hook at the loose rope end to take advantage of this unique feature. Once the hook is in place, the unit can be used in bi-directional lifting mode (two-hook mode). The actuator is mounted in the interior of the winch and ensures the rope smoothly runs in the drive sheave. It also extends the pressure surface of the rope on the drive sheave for safe friction contact. The two load falls are designed to alternately carry the rated load.

CARRYING FRAME

The carrying frame on the Yale *Mtrac* can be installed either at the top or at the bottom on the unit. It is ergonomically designed with plastic grips that ensure hand-friendly handling and carrying of the winch by two people. The carrying frame cannot be used as a load-bearing component; it is exclusively intended to protect the housing, e.g. while working, during storage or while transporting or carrying the winch. Two carrying frames can also be used (one at the top and one at the bottom).

CONNECTION TO TROLLEYS

If low headroom is required, the Yale *Mtrac* winch can be easily converted from the standard hook connection to a trolley mount using a Yale trolley. Manual and power-driven trolleys available on request.



TWO-FALL DESIGN

with optional components such as suspension hook and bottom block.

Capacity up to 1000 kg



Yale *Mtrac* winches with two carrying frames (optional) are extremely well protected and can be safely operated in any position.

The accessories for the two-part reeved option double the load capacity.

OPTIONAL

- The transport and carrying frames are designed to protect the housing. They must not be used as load-bearing components!
- Two-part reeving configuration doubles the load capacity.
- Additional hook kit for bi-directional lifting.
- Special voltages on request.
- Steel wire ropes of various lengths.
- Manual and electric trolleys.
- Frequency converter for variable speed control or smooth starting.
- Operating hours counter to determine the remaining service life and number of switching operations.
- Radio remote control with extended operation range.
- Varying lengths for power and control cables.
- Stainless steel wire ropes (with shorter service life than standard).



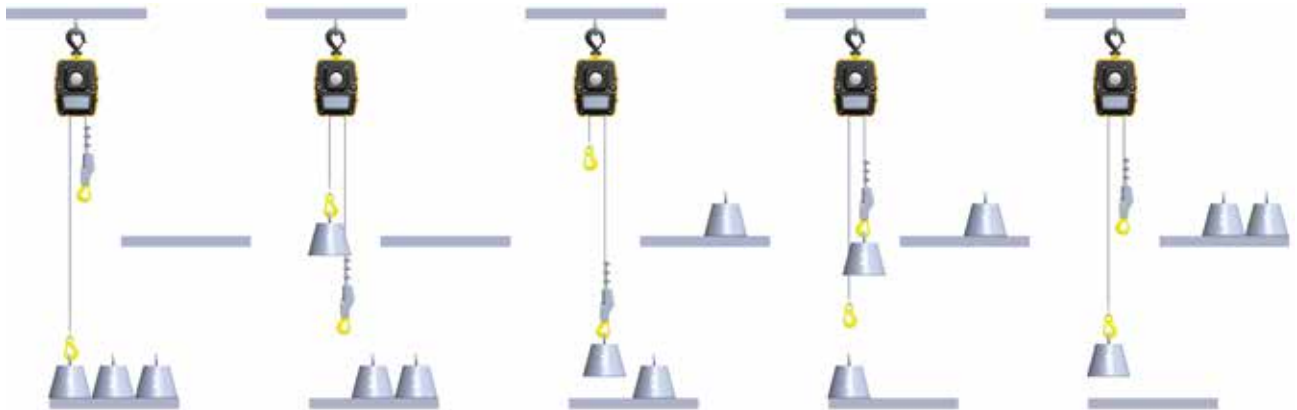
OPTION:
Radio remote control



BI-DIRECTIONAL LIFTING

The hooks of the two rope falls can be alternately loaded with 100% rated load.

BI-DIRECTIONAL LIFTING



EASY TRANSPORT

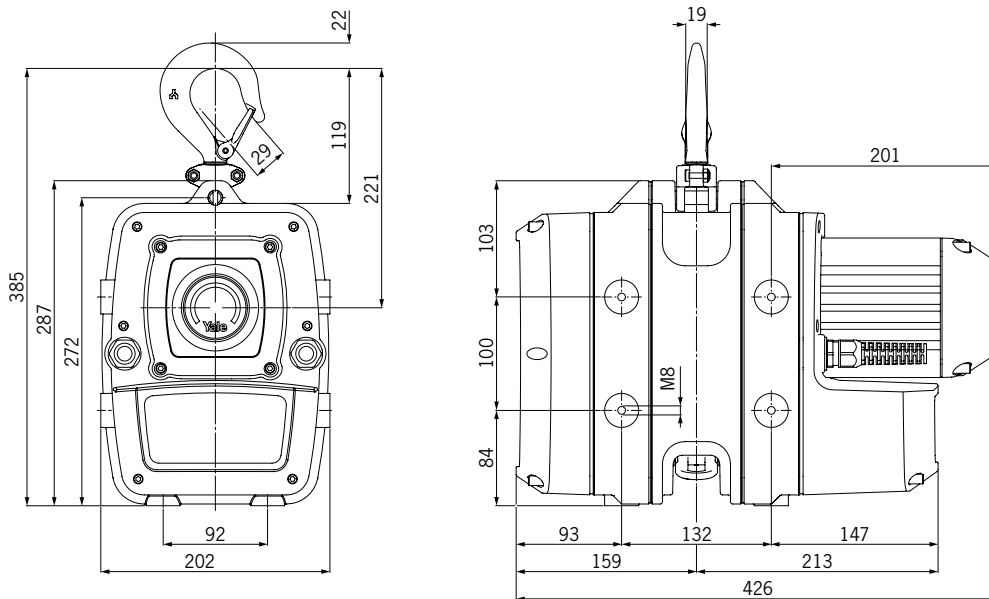
Whether using the standard handle for transport by one person or the optional carrying frame for two-person transport, the Yale *Mtrac* is easy to carry. Ergonomic, hand-friendly plastic grips provide comfort in both carrying configurations.



Technical data Yale *Mtrac*®

Model	Art-No.	Single fall Standard		Double fall Optional		Motor kW	Operating voltage
		Capacity	Lifting speed	Capacity	Lifting speed		
		kg	m/min	kg	m/min		
YMT 1-15	192025166	100	15	200	7.5	0.37	230V/1 Ph/50 Hz
YMT 3-5	192025170	300	5	600	2.5	0.37	230V/1 Ph/50 Hz
YMTF 0,6-30	192025175	66	30/7.5	130	15/3.7	0.37/0.09	400V/3 Ph/50 Hz
YMT 1-30	192025171	100	30	200	15	0.55	400V/3 Ph/50 Hz
YMTF 2-10	192025176	200	10/2.5	400	5/1.3	0.37/0.09	400V/3 Ph/50 Hz
YMT 3-10	192025174	300	10	600	5	0.55	400V/3 Ph/50 Hz
YMT 5-5	192053140	500	5	1000	2.5	0.55	400V/3 Ph/50 Hz

Weight from 24 to 26 kg (without rope) depending on options.
Rope Ø 6.5 mm



Yale *Mtrac*, 66 - 500 kg

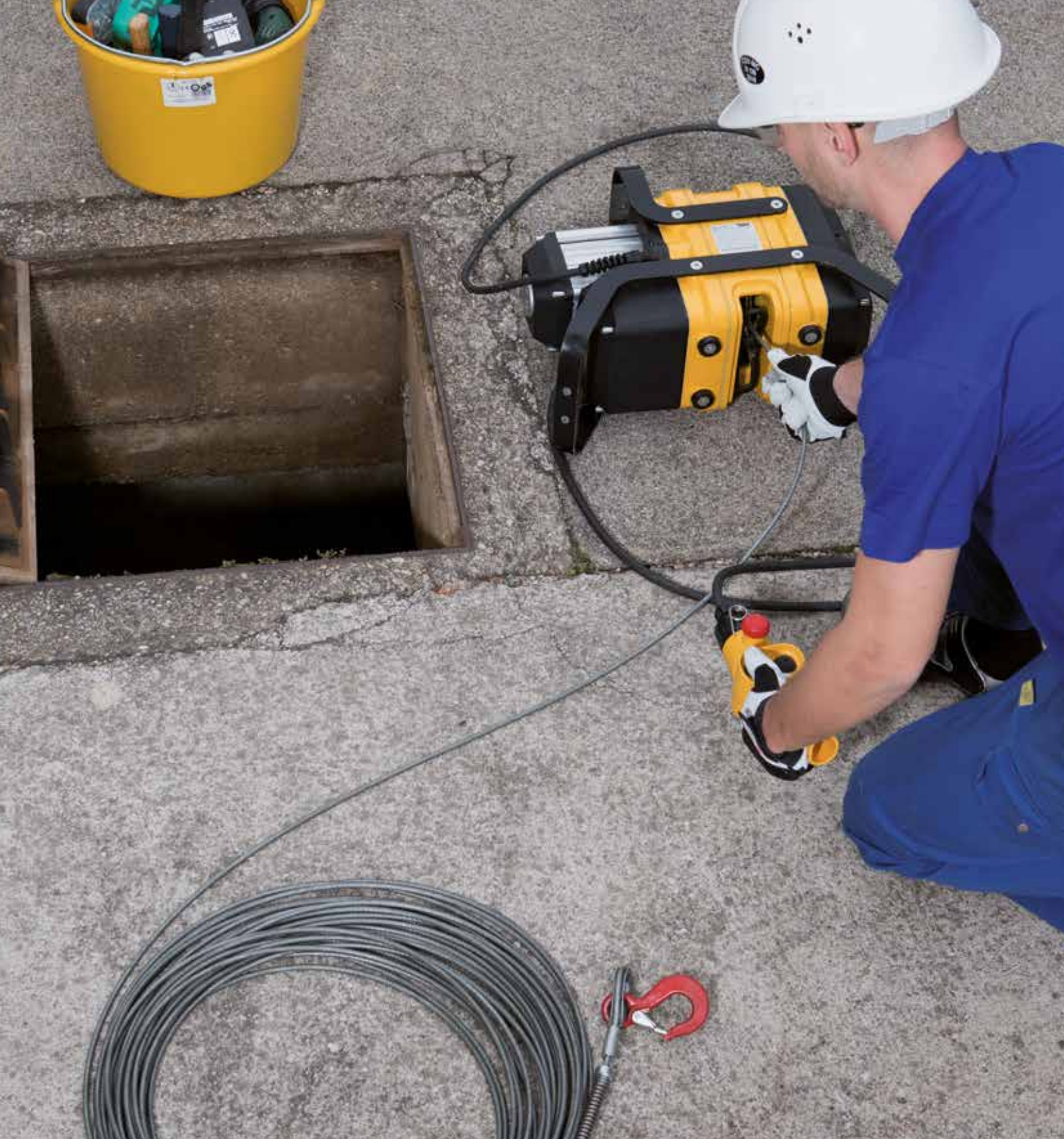
INFO

As an option, the Yale *Mtrac* is available double reeved for twice the capacity.

VERSATILE APPLICATION

The Yale *Mtrac* can be integrated with a Yale trolley as an option.

The threaded points on the sides of the housing allow for versatile attachment by the customer.



EASY MAINTENANCE AND INSPECTION

The Yale *Mtrac* winch is easy to maintain. Each unit is designed with a modular structure as well as easy access to critical parts and electrical components for quick and efficient repairs.

Additionally, operators can adjust the slip clutch and inspect the brakes with ease.



ELECTROMAGNETIC BRAKE



SLIP CLUTCH



LOW VOLTAGE CONTROL

Germany

COLUMBUS McKINNON Industrial Products GmbH*
 Yale-Allee 30
 42329 Wuppertal
 Phone: 00 49 (0) 202/69359-0
 Web Site: www.cmco.eu
 Web Site: www.yale.de
 E-mail: info.wuppertal@cmco.eu

COLUMBUS McKINNON Engineered Products GmbH*
 Am Silberpark 2-8
 86438 Kissing
 Phone: 00 49 (0) 8233 2121-777
 Web Site: www.cmco.eu
 Web Site: www.pfaff-silberblau.com
 E-Mail: sales.kissing@cmco.eu

Pfaff Verkehrstechnik GmbH*
 Am Silberpark 2-8
 86438 Kissing
 Phone: 00 49 (0) 8233 2121-4500
 Web Site: www.pfaff-silberblau.com
 E-Mail: verkehrstechnik@pfaff-silberblau.com

Austria

COLUMBUS McKINNON Hebeteknik GmbH*
 Gewerbepark, Wiener Straße 132a
 2511 Pfaffstätten
 Phone: 00 43 (0) 22 52/22 133-0
 Web Site: www.cmco-hebeteknik.at
 E-mail: zentrale@cmco.at

Switzerland

COLUMBUS McKINNON Switzerland AG
 Dällikerstraße 25
 8107 Buchs ZH
 Phone: 00 41 (0) 44 8 51 55 77
 Web Site: www.cmco.ch
 E-mail: info.buchs@cmco.eu

Italy

COLUMBUS McKINNON Italia S.r.l.
 Via 11 Settembre 26
 20023 Cerro Maggiore (MI)
 Phone: 00 39 (0) 331/57 63 29
 Web Site: www.cmco-italia.it
 E-mail: vendite@cmco.eu

Netherlands

COLUMBUS McKINNON Benelux B.V.
 Flight Forum 128 a
 5657 DD Eindhoven
 Phone: 00 31 (0) 40/3 03 26 81
 Web Site: www.cmco.eu
 E-mail: sales.nl@cmco.eu

France

COLUMBUS McKINNON France SARL*
 Zone Industrielle des Forges
 33 Rue Albert et Paul Thouvenin
 18108 Vierzon Cedex
 Phone: 00 33 (0) 248/71 85 70
 Web Site: www.cmco-france.com
 E-mail: sales.fr@cmco.eu

Great Britain

COLUMBUS McKINNON Corporation Ltd.**
 Knutsford Way, Sealand Industrial Estate
 Chester CH1 4NZ
 Phone: 00 44 (0) 1244 375375
 Web Site: www.cmco.eu
 E-mail: sales.uk@cmco.eu

Northern Ireland & Republic of Ireland

COLUMBUS McKINNON Corporation Ltd.
 1A Ferguson Centre
 57-59 Manse Road
 Newtownabbey BT36 6RW
Northern Ireland
 Phone: 00 44 (0) 2890 840697
 Web Site: www.cmco.eu
 E-mail: sales.ni@cmco.eu

COLUMBUS McKINNON Ireland Ltd.

Unit 4, South Court
 Wexford Road Business Park
 Co. Carlow
 Phone: 00 353 (0) 59 918 6605
 Web Site: www.cmco.eu
 E-Mail: info.irl@cmco.eu

Spain & Portugal

COLUMBUS McKINNON Ibérica S.L.U.
 Ctra. de la Esclusa, 21 acc. A
 41011 Sevilla
 Phone: 00 34 954 29 89 40
 Web Site: www.cmiberica.com
 E-mail: informacion@cmco.eu

Poland

COLUMBUS McKINNON Polska Sp.z o.o.
 ul. Owsiana 14
 62-064 PLEWISKA
 Phone: 00 48 (0) 61 6 56 66 22
 Web Site: www.cmco-polska.pl
 E-Mail: kontakt@columbus-mckinnon.pl

Hungary

COLUMBUS McKINNON Hungary Kft.*
 Vásárhelyi út 5. VI ép
 8000 Székesfehérvár
 Phone: 00 36 (22) 880-540
 Web Site: www.cmco.hu
 E-mail: sales.hungary@cmco.eu

United Arab Emirates

COLUMBUS McKINNON Member STAHL CraneSystems FZE
 Warehouse RA 08/SC 08
 P.O. Box 261271
 Jebel Ali Free Zone
 Dubai, U. A. E.
 Phone: 00 971 4 8053 700
 Web Site Stahl: www.stahlcranes.com
 E-mail Stahl: infouae@stahlcranes.com
 Web Site CMCO: www.cmco.eu
 E-mail CMCO: sales.uae@cmco.eu

South Africa

CMCO Material Handling (Pty) Ltd.*
 P.O. Box 15557
 Westmead, 3608
 Phone: 00 27 (0) 31/700 43 88
 Web Site: www.cmcosa.co.za
 E-mail: sales@cmcosa.co.za

Yale Engineering Products (Pty) Ltd.

P.O. Box 4431
 Honeydew, 2040
 Phone: 00 27 (0) 11/794 29 10
 Web Site: www.yalejhb.co.za
 E-mail: info@yalejhb.co.za

Yale Lifting Solutions (Pty) Ltd.*

P.O. Box 592
 Magaliesburg, 1791
 Phone: 00 27 (0) 14/577 26 07
 Web Site: www.yale.co.za
 E-mail: sales@yalelift.co.za

Yale Lifting Solutions Industrial Division (Pty) Ltd

P.O.Box 19342
 Pretoria West, 0117
 Phone: 00 27 (0) 12/327 06 96
 Web Site: www.pfaffhoist.co.za
 E-mail: sales@pfaffhoist.co.za

Russia

COLUMBUS McKINNON Russia LLC
 ul. Marshala Govorova 35
 Building 4, liter 1, premises 16-N, office 413
 198095 St. Petersburg
 Phone: 007 (812) 322 68 38
 Web Site: www.cmco.ru
 E-mail: info@cmco.ru

